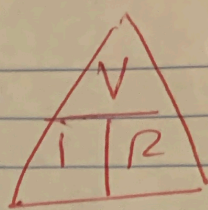
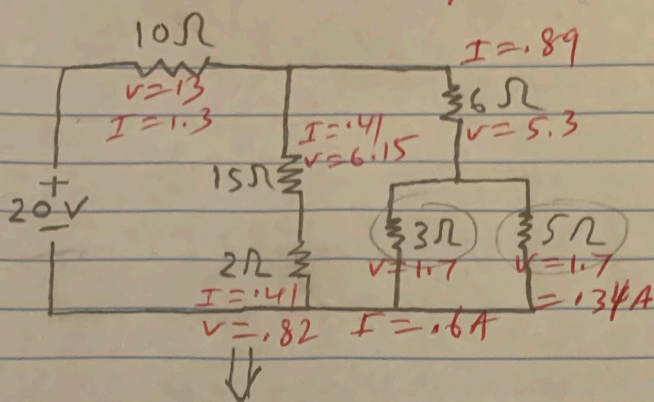


Complex circuit

Ramok Worksheet #1
by Rashidul Bari



Ohm's Law

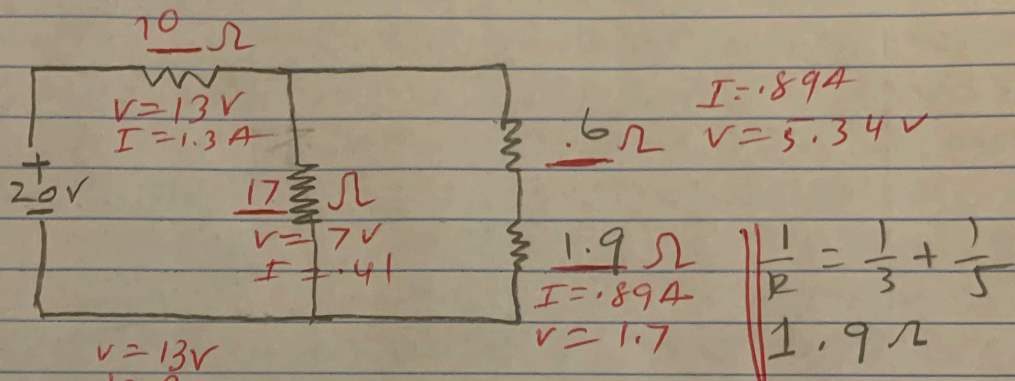
$$I = \frac{V}{R}$$

$$R = \frac{V}{I}$$

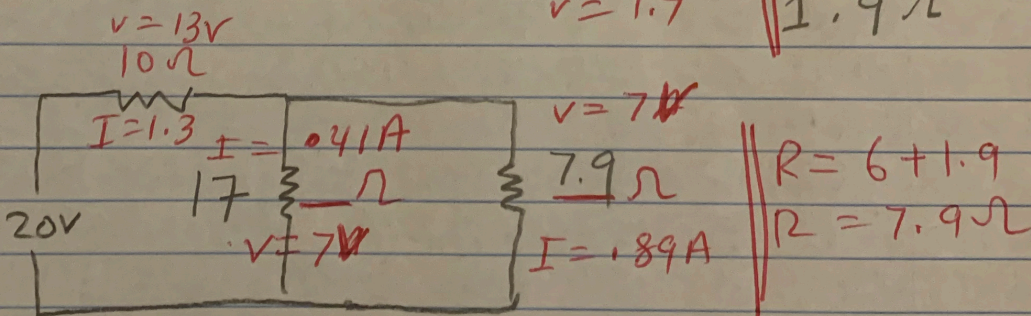
$$V = IR$$

Goal: Convert it to Simple circuit

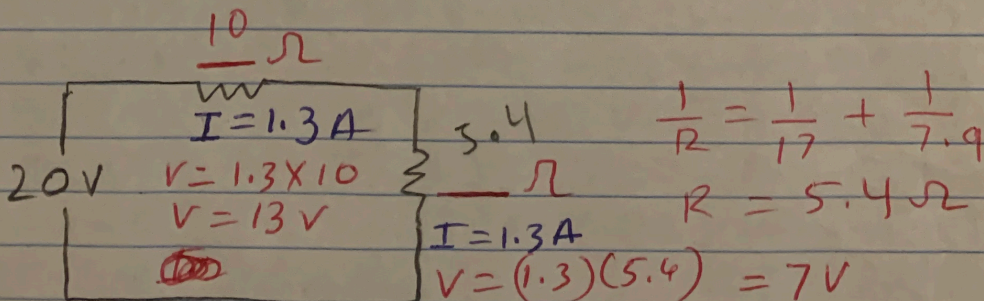
STEP #1



STEP 2



STEP 3



STEP #4

